

## DATASHEET

CATEGORY: Lightning event counter  
 NAME: **Lightning Event Counter**  
 REFERENCE: **AT-034G**



## PRODUCT DESCRIPTION

Lightning Event Counter.



It automatically counts the strikes received by the lightning protection system.

Totally autonomous.

The counter has proved its effective operation and strength by means of these tests, withstanding lightning currents (100 kA, 10/350  $\mu$ s) without suffering any damage.

Type I and II counter according to IEC EN 62561-6.

Outdoor installation location.

Without electronic circuit.

### > Application



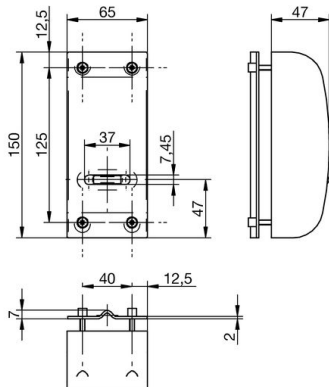
## DATASHEET

Reference	AT-034G
Dimensions	156 x 66 x 61 mm
Counter	0...999999
Minimum impulse discharge current counted, I <sub>imp min</sub>	1 kA (10/350µs)
Maximum impulse discharge current counted, I <sub>imp max</sub>	100 kA (10/350µs)
Minimum discharge current counted, I <sub>n min</sub>	2.5 kA (8/20µs)
Maximum discharge current counted, I <sub>n max</sub>	100 kA (8/20µs)
Material/s	Polycarbonate
IP Code	IP65
Temperature	-25 to 70 °C
Max. operating humidity	80%
Max. operating altitude	2000 m
Includes	Support sheet and 4 M4 x 25 mm screws
Power supply	No need, totally autonomous
Weight	730 g

> Nuts and Bolts

Screw DIN7985, M4x25, A2	4
Standards	Complies with IEC EN 62561-6, UNE 21186, NF C 17-102, IEC 62305

> Diagram (mm)



## INSTRUCTIONS

---

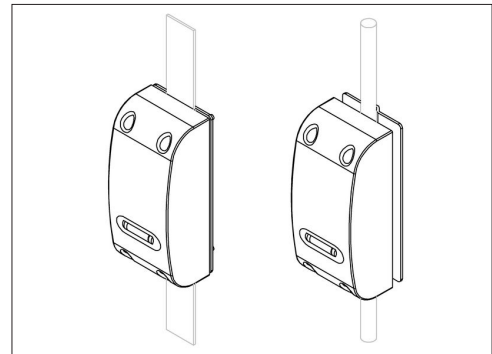
### > INSTALLATION

To be installed on the down-conductor, usually above the guard tube.

To be fixed to the down-conductor by tightening the four screws included in the support sheet, so that the down-conductor is between both elements.

Interrupting the down-conductor is not necessary for its installation.

This counter can be installed inside self-supporting masts



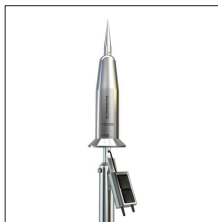
### > SAFETY AND MAINTENANCE

It is very sturdy and totally autonomous, however it is advisable to check it periodically in order to see if there has been a strike and, therefore, whether or not the lightning protection system needs any special maintenance.

## OTHER INFORMATION

---

### > RELATED PRODUCTS



**AT-2560**  
DAT CONTROLER®  
REMOTE 60