

# DATASHEET

**CATEGORY:** Masts for attaching to wall or structure  
**NAME:**  $\varnothing 1\frac{1}{2}''$  x 6m galv.steel mast (3 sect)  
**REFERENCE:** **AT-057A**

## PRODUCT DESCRIPTION

$\varnothing 1\frac{1}{2}''$  x 6 m galvanized steel mast (3 sections) for wall or structural fixing.



For attachment using 2 anchorage supports. The distance between supports must be 60 cm.

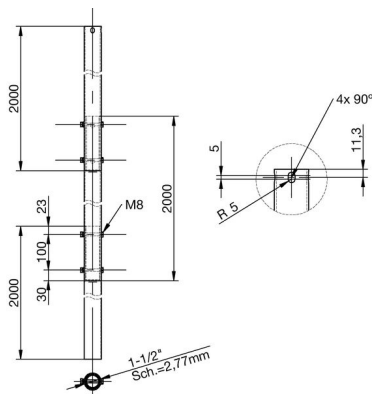
## DATASHEET

Reference	AT-057A
Dimensions	$\varnothing 1\frac{1}{2}''$ x 6 m
Total height (m)	6 m
Weight	20,07 kg
Materials	Galvanized steel
Includes	3 sections x 2 m

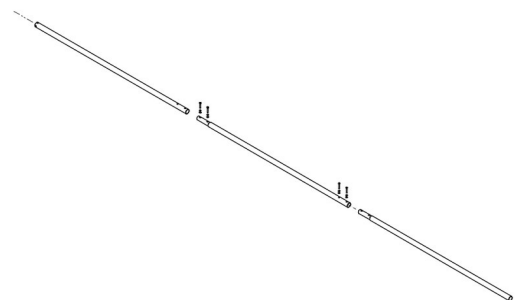
### > Nuts and Bolts

Hexagonal screw DIN931, M8x65, Zn	4
Nut DIN934, M8, Zn	4
Grower Washer DIN127, M8, Zn	4
Standards	Complies with UNE 21186, NF C 17-102, IEC 62305

### > DIAGRAM



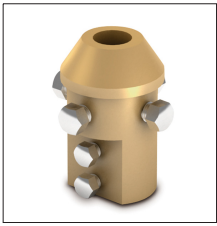
### > Components



## OTHER INFORMATION

---

### > RELATED PRODUCTS



**AT-011A**  
Brass adap.piece M20,  
1 1/2"mast+cable/tape