

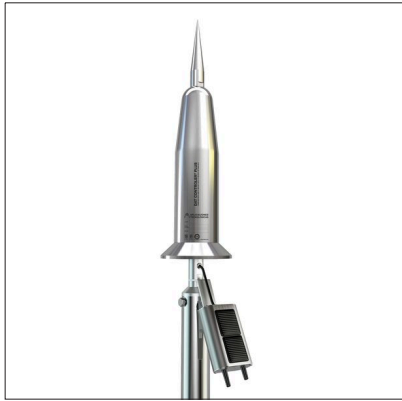
# DATASHEET

CATEGORY: DAT CONTROLLER® REMOTE  
 NAME: **DAT CONTROLLER® REMOTE 15**  
 REFERENCE: **AT-2515**



## PRODUCT DESCRIPTION

DAT CONTROLLER® REMOTE 15: Early Streamer Emission air terminal ( $\Delta t = 15\mu s$ ), with remote verification. Material: Stainless steel AISI 316L.



Advance time: 15  $\mu s$  obtained according to the tests described in the standards NF C 17102 and UNE21186.

AENOR product certification.

Daily remote verification, with available data in real time at a web app using 2G/3G network.

Withstand current 20 x 200kA + 5 x 250kA (10/350 $\mu s$  wave).

Certificate of performance under rain (Insulation > 95% according to EN 60060).

No external power supply required.

Protection radius up to 75 meters according to NF C 17102 and UNE21186.

Web portal for daily information on status of air terminals.

M2M communication.



## DATASHEET

Reference	AT-2515
Length	120 mm
Width	120 mm
Height	551 mm
Weight	5000 g
Materials	AISI 316L stainless steel
IP Code	IP67
Working temperature	-25 °C to 88 °C
Internal insulation	Polyurethane resin
Fixing	M20 male thread
Type of air terminal	Electropulsator (emits impulses)
Certified advance time ( $\Delta T$ )	15 $\mu s$

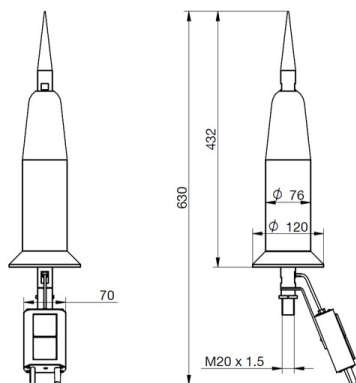
Protection radius (m)							
Height for protection radius	2	4	6	8	10	20	60
Protection radius (m) for Level I	13	25	32	33	34	35	35
Protection radius (m) for Level II	15	30	38	39	40	44	45
Protection radius (m) for Level III	18	36	46	47	49	55	60
Protection radius (m) for Level IV	20	41	52	54	56	63	75
Tested current	20 x 200kA + 5 x 250kA (10/350µs wave)						
Standard deviation ratio ESE/Simple rod	< 0,8						
Standards	Complies with NF C 17-102:2011; UNE 21186:2011; NP 4426:2013						

> Certifications and tests

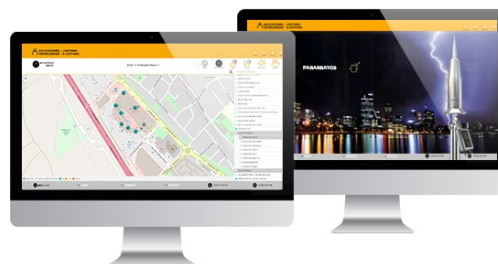
AENOR Product Certification Nr. 058/000005 in accordance with UNE 21186 standard.  
 Withstand current certificate for 20 impacts of 100 kA, 10/350 µs wave (ITE).  
 Tested current: 20 x 200kA + 5 x 250kA (10/350µs wave).  
 Certified advance time.  
 Certificate of unalterable performance under rain applying the standard EN 60060-1:2012.  
 Radius protection certificate and regulation compliance (NFC 17-102, UNE 21186).  
 Certificate of compliance with the standards of Electromagnetic Compatibility (EMC).  
 Certificate of conformity with radio equipment directive R&TTE.  
 Certificate for use in explosive atmospheres (ATEX).  
 Manufactured according to ISO 9001 and following ISO 14001 environmental management standard.



> Diagram (mm)



> WEB SITE



## INSTRUCTIONS

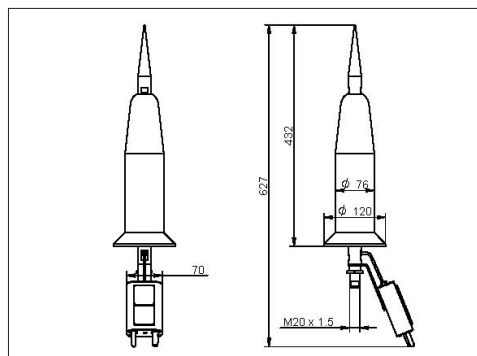
### > INSTALLATION

ESE air terminal protection radius depends on its height related to the surface to be protected, its advance time  $\Delta T$  and the protection level.

The installation of DAT CONTROLLER® REMOTE air terminals should follow the standards NF C 17-102:2011, UNE 21186:2011 and NP 4426:2013.

The air terminal should be at least 2 meters higher than any object to be protected.

For correct operation of the remote testing, orient towards maximum solar gain, avoid shadows and obstacles and check GSM signal.



## OTHER INFORMATION

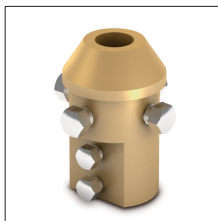
### > OTHER REFERENCES

**AT-2530:** DAT CONTROLLER® REMOTE 30

**AT-2545:** DAT CONTROLLER® REMOTE 45

**AT-2560:** DAT CONTROLLER® REMOTE 60

### > RELATED PRODUCTS



**AT-011A**  
Brass adap.piece M20,  
1½" mast+cable/tape



**AT-004G**  
ATLOGGER