

DATASHEET

CATEGORY: ATSUB
 NAME: **ATSUB-R 15-120**
 REFERENCE: **AT-8299**



PRODUCT DESCRIPTION

ATSUB-R 15-120 - Protector for power supply lines. Connection for remote warning. Single-pole. Type 2+3. $U_c = 150 \text{ VAC}$. $I_{max} = 15 \text{ kA}$. $U_p(I_n) = 1200 \text{ V}$. $U_p(1,2/50) = 700 \text{ V}$. Size 1DIN.



Tested and certified as a protector Type 2+3 according to the standard EN IEC 61643-11.

Suitable for Categories I, II, III, IV according to ITC-BT-23.

Single-pole protection.

Containing zinc oxide varistors able to withstand very high currents.

Coordinable with protectors of series ATSHOCK, ATSHIELD and ATCOVER.

Short response time.

Does not produce deflagration.

Their activation causes no interruption in power supply.

Thermodynamic control device.

Voltage-free contact for the remote control.

ATSUB series protectors have been tested in official and independent laboratories, obtaining their characteristics according to relevant standards.

DATASHEET

Reference	AT-8299
-----------	---------

> ELECTRICAL

Nominal voltage	U_n	120 VAC
Maximum continuous operating voltage	U_c	150 VAC
Nominal frequency	f	50 - 60 Hz
Nominal discharge current per pole (8/20 μs wave)	I_n	5 kA

Maximum discharge current per pole (8/20 μs wave)	I_{max}	15 kA
Protection level for 8/20 μs wave at In	U_p	1200 V
Level protection for 1.2/50 μs wave		700 V
Protection level for 5 kA; 8/20 μs wave		900 V
Combined wave voltage	U_{oc}	6 kV
Response time	t_r	25 ns
Backup fuse		125 A gL/gG
Maximum short-circuit current		25 kA

> DIMENSIONS

Length	18 mm
Height	96 mm
Width	80 mm
Weight	92 gr
Number of DIN modules (DIN 43880)	1

> ENVIRONMENTAL

Working temperature	-40 °C to +70 °C
Protector location	Indoor
Enclosure protection	IP20

> GENERAL

Protection categories according to the REBT	I, II, III, IV
Test type according to UNE-EN61643-11	Type 2+3

> CONSTRUCTION

Fixing	DIN Rail
Enclosure material	Polyamide
Insulation resistance	$> 10^{14} \Omega$
Self-extinguishing enclosure	V-0 Type according to EN IEC 60707 (UL94)
Type of connection	Parallel (one port)
Nr. of poles	1
Warning	Warning mechanism. Yellow: protector status ok. Black: Replace.

> CONNECTION

Minimum multi-stranded section	4 mm ²
Maximum multi-stranded section	35 mm ²
Minimum single-stranded section	1 mm ²
Maximum single-stranded section	35 mm ²
Screw	Philips H2

Tightening | 3 N·m

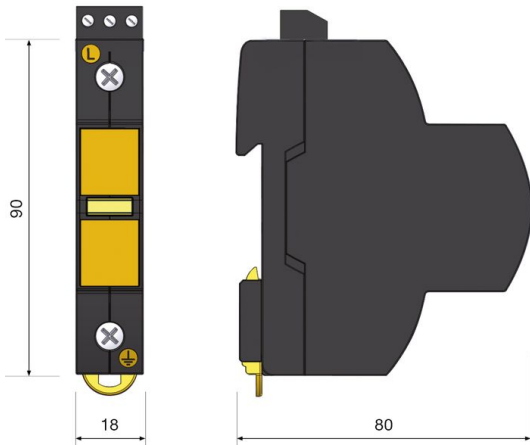
> Voltage-free contact for the remote control

Connection	Single-stranded /multi-stranded maximum section: 1.5 mm ²
Contact output	Switch
Operating voltage	250 V _{AC}
Maximum current	2 A

> TESTS AND CERTIFICATIONS

Certificated tests according to EN IEC 61643-11.
 Complies with requirements of UL 1449.
 Relevant standards: NF C 17102, UNE 21186, EN IEC 62305.
 Products compliant with EC requirements.

> Diagram (mm)



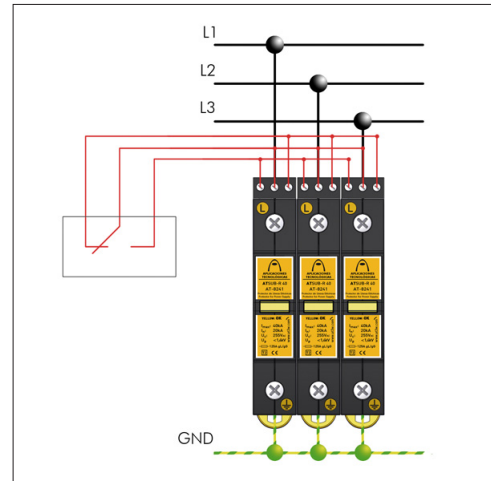
INSTRUCTIONS

> INSTALLATION

ATSUB surge protection devices must be installed in parallel with the low voltage power supply line.

When installed as medium protection, they should be separated from the coarse and/or tight protection by at least 10 metres of cable or, if this is not possible, by an ATLINK decoupling inductor, in order to achieve correct coordination between them.

Installation should be carried out without power in the line and can only be done by authorized professionals.



> SAFETY AND MAINTENANCE

Connection to earth is a must. Earthing in the whole installation must be bonded either directly or by a spark gap and resistance should be lower than 10 Ω .

If the indications on this datasheet are not fulfilled during use or installation of the protectors, the protection provided by this device could be compromised.

OTHER INFORMATION

> OTHER REFERENCES

AT-8065: ATSUB-R 15-300

AT-8066: ATSUB-R 40-300

AT-8067: ATSUB-R 65-300

AT-8204: ATSUB-R N

AT-8208: ATSUB-R 40-120

AT-8209: ATSUB-R 65-120

AT-8221: ATSUB-R 15

AT-8225: ATSUB-R 15-400

AT-8241: ATSUB-R 40

AT-8245: ATSUB-R 40-400

> RELATED PRODUCTS



AT-8230
ATSUB 15-120