

DATASHEET

CATEGORY: IGA TEST
 NAME: **IGA TEST T 40 PLUS**
 REFERENCE: **AT-9038**



PRODUCT DESCRIPTION

IGA TEST T 40 PLUS - Three-phase protector against permanent overvoltages and undervoltages, with integrated MCB, nominal current 40A. Actuating time 275V -> 8-10s / 400V -> 0,1-0,2s: 80V -> 0,2s / 200V -> 0,8s.



IGA TEST protectors cut off the power supply when they detect a permanent overvoltage or undervoltage, (for example, a fault in the neutral), thus protecting the equipment installed downstream.

The protector is formed by protective coils for permanent overvoltage linked to a miniature circuit breaker (MCB).

DATASHEET

Reference	AT-9038
-----------	---------

> DIMENSIONS

Protector dimensions	123 x 81 x 65 mm
Number of DIN modules (DIN 43880) of the protector	7

> ELECTRICALS

Nominal current		40 A
Type of line		Three-phase
Maximum short-circuit current		6 kA
Nominal voltage (L-N)	U_n	230 V
Maximum overvoltage (L-N)	U_c	400 V
Minimum operating voltage(L-N)		80 V

- Working characteristics for overvoltages

Actuation voltage V1 (L-N)	U_a	275 V
Actuation time at V1		8-10 s
Actuation voltage V2 (L-N)		400 V
Actuation time (V2)		0,1-0,2 s

- Working characteristics for undervoltages

Actuation voltage V1 (L-N)	U _a	200 V
Actuation time at V1		0.8 s
Actuation voltage V2 (L-N)		80 V
Actuation time at V2		0.2 s

> CONSTRUCTION

Fixing	DIN Rail	
Insulation resistance	> 10 ¹⁴ Ω	
Self-extinguishing enclosure	V-0 Type according to UNE-EN IEC 60707 (UL94)	
Nr. of poles	4	

> ENVIRONMENTAL

Working temperature	-5 to +40 °C	
Protector location	Indoor	
Enclosure protection	IP20	

> CONNECTION

- Protector cables

Minimum / Maximum section	4 / 25 mm ²	
Screw	Philips, H2	
Tightening	3 N·m	

- Activation cables (S1, S2)

Minimum / Maximum section	1 / 4 mm ²	
Screw	Philips, H1	
Tightening	1.2 N·m	

> TESTS AND CERTIFICATIONS

Certificated tests according to the standard: UNE-EN IEC 61643-11

UNE-EN IEC 60898

UNE-EN 50550 (POP)

Relevant standards: UNE 21186, UNE-EN IEC 62305

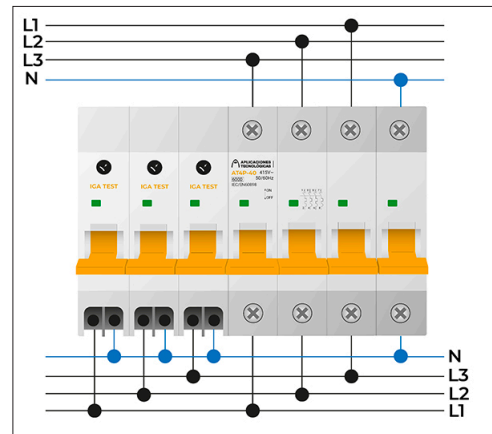
Products compliant with EC requirements.

INSTRUCTIONS

> INSTALLATION

They must be installed in series with the low voltage line, with the input at the top of the protector.

Las bobinas de protección se instalan entre las líneas y el neutro por la parte inferior del protector.



> SAFETY AND MAINTENANCE

Installation should be carried out without power in the line and can only be done by authorized professionals.

Connection to earth is a must.

OTHER INFORMATION

> OTHER REFERENCES

AT-9006: IGA TEST T 25

AT-9007: IGA TEST T 32

AT-9008: IGA TEST T 40

AT-9009: IGA TEST T 50

AT-9010: IGA TEST T 63

AT-9036: IGA TEST T 25 PLUS

AT-9037: IGA TEST T 32 PLUS

AT-9039: IGA TEST T 50 PLUS

AT-9040: IGA TEST T 63 PLUS

AT-9055: IGA TEST T 6

> RELATED PRODUCTS



AT-8217
ATSUB-D T